

Keep Expanding CloudConnect



Microsoft Azure ExpressRoute

Microsoft ExpressRoute powered by Liquid CloudConnect technology is a dedicated and private connection between your business, whether your data is on premise or a colocation facility, and Microsoft cloud services.

ExpressRoute is the optimal solution for businesses that need to move high volumes of data quickly and securely or are using resource intensive applications in Azure. A dedicated connection to your cloud assets will result in greater reliability, lower latencies, and greater security when compared connections through the public internet.

Enterprise customers that use an ExpressRoute connection for their security also enjoy the cost management benefits inherent in separating business-critical application traffic from business-as-usual internet traffic. Liquid Telecom has ExpressRoute services available in 13 countries anywhere along our 70,000km of pan-African fibre network.

Its your data.
Let's make
sure you have
access.



Benefits

Dedicated: The always on connection to your cloud business-critical applications and data, whether your data is on premise or in a colocation environment.

Secure by design: The secure connection bypasses the public internet ensuring the privacy of your business data

Flawless user experience: ExpressRoute provides low latency, guaranteed bandwidth and security ensuring a dependable user experience

One-stop shop: Liquid Telecom is Africa's largest connectivity provider ensuring you deal with the right partner for all the connectivity needs

Lower Microsoft egress data transfer costs: The local cost-effective ExpressRoute option available only on Liquid Telecom CloudConnect

Features

- Up-to 1 Gbps ExpressRoute
- Global connectivity
- Last-mile and international redundancy
- 24/7 online monitoring
- Full control over routing policies
- Scalable bandwidth

Keep Expanding CloudConnect



Technical Requirements:

Liquid Telecom offers Ethernet CloudConnect and VPN CloudConnect (IPVPN) solutions. BGP management is offered on the VPN CloudConnect solution administered in High Availability between Liquids Cloud Routers and Microsoft's Enterprise Edge Routers. The Ethernet CloudConnect solution extends dual Ethernet circuits from Microsoft to the customer premises with an option to add a managed router.

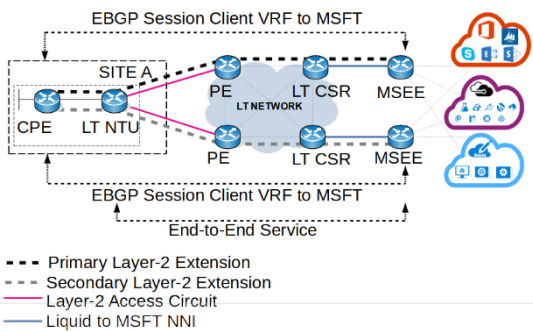


Fig 1: Layer 2 offering

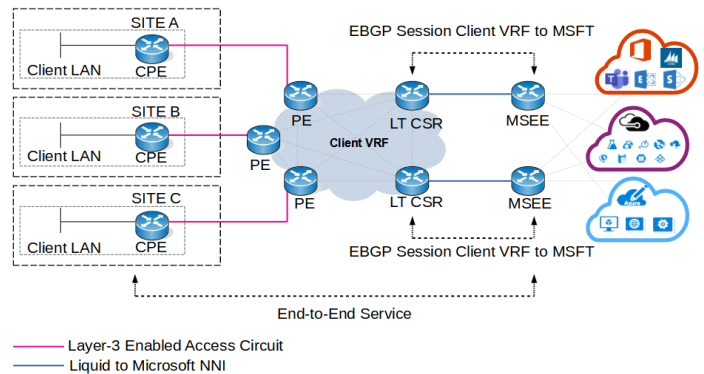


Fig 2: IPVPN Layer 3 offering

Liquid Telecom's ExpressRoute Pricing Plans:

- Unlimited Data Plan: All inbound and outbound data transfer is free of charge. Customers are charged a single fixed monthly port fee (based on High Availability dual ports)
- Metered Data Plans: All inbound data transfer is free of charge and all outbound data transfer is charged based on pre-determined rate (listed below). Customers are also charged a fixed monthly port fee (based on High Availability dual ports)

Why Liquid Telecom

Liquid Telecom has the largest fibre network in Africa, spanning 70,000 km and connecting Cape Town to Cairo on a single continuous network. We operate in 13 African markets and expanding every year. Our network connects directly to Microsoft's Data Centre in Cape Town and Johannesburg. With the strength of our network and on-the-ground presence makes us the ideal Microsoft Partner across Africa.

Why use Liquid Telecom CloudConnect?

- Easy to implement because Liquid connects directly to Azure and leverages our inhouse developed provisioning tool
- Data does not transverse the public internet providing better reliability, guaranteed bandwidth, lower latency and higher levels of security backed by punitive SLA's.
- Cost benefits are realised since there is no need for an expensive IPSec tunnel to your Azure resources
- Flexible bandwidth from 50Mbps to 1Gbps Economy, Business or Premium Last Miles Access SLA's available

Official Microsoft Partner

Liquid Telecom is an official Microsoft ExpressRoute connectivity partner, accounting for a small number of official providers. This means that choosing Liquid Telecom as your ExpressRoute provider you are ensured a direct connection to Microsoft peering and not rerouted via different connectivity providers.